

METROSIL CURRENT TRANSFORMER PROTECTION UNITS

INTRODUCTION

One of the major operational hazards that may be encountered whilst operating a current transformer (CT) involves the secondary circuit being left in an open circuit condition, with the primary still energised. Open circuit conditions can occur inadvertently through routine maintenance of the burden or damage to the leads of the secondary circuit. High voltage transients may be generated in these situations and damage the CT winding insulation; possibly rendering it inoperable. In addition, these transients can cause high eddy currents in the CT core. These may be detrimental to the magnetising characteristics of the CT and result in errors in the measurement accuracy.

A Metrosil Current Transformer Protection Unit (CTPU) provides protection against potential CT operational hazards. It is designed to permanently connect across the terminals of the CT and operate without the need for user intervention.

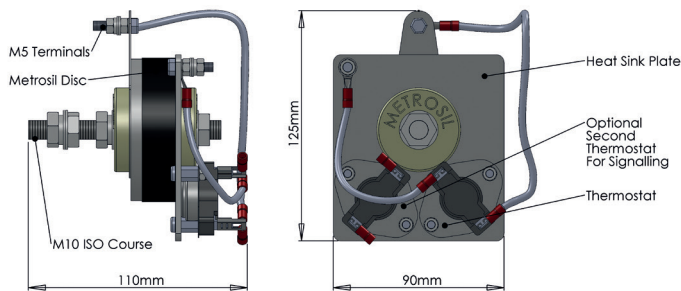


Figure 1 - Construction and Typical Dimensions of a Single Pole Metrosil CTPU

CONSTRUCTION AND OPERATION OF A METROSIL CTPU

Figure 1 shows the construction and dimensions of a single pole Metrosil CTPU. A varistor disc is connected in parallel with a thermostatic switch mounted on a heat sink plate.

Under normal working or fault conditions, with the burden connected, the varistor is subjected to an applied voltage. It acts as a passive load and draws little current, thus preventing inaccuracies in the measurement of the CT. During open circuit conditions, the varistor is exposed to an applied current and acts as an active load, limiting the voltage across the CT terminals and preventing any damage.

The thermostatic switch manages the thermal cycling within the Metrosil CTPU when the CT is in an open circuit condition. A second thermostatic switch can be mounted on the heat sink plate for remote monitoring.

CONNECTION OF THE METROSIL CTPU

Figure 2 illustrates how a Metrosil CTPU should be connected across the secondary winding of a CT in parallel with the burden. It is advisable to locate the Metrosil CTPU as close to the CT as possible to prevent it being inadvertently detached during maintenance.

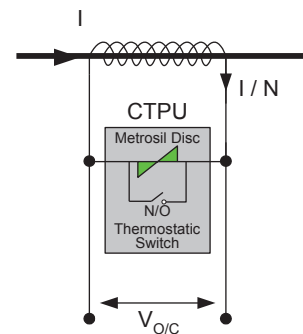


Figure 2 - Electrical Connection of the Metrosil CTPU

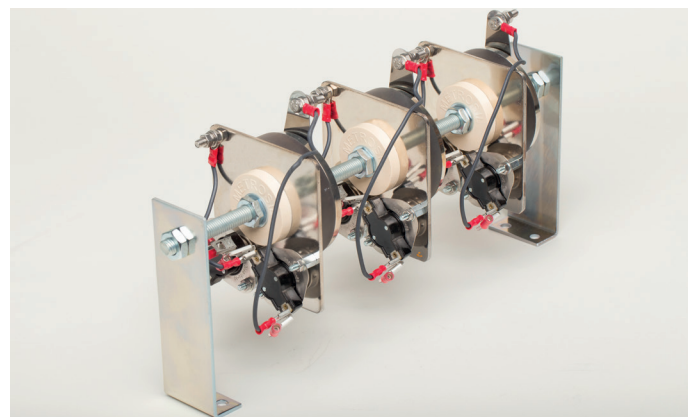
PROTECTION OF CTs AND RELAYS

Metrosil CTPUs protect CTs from damage under open circuit conditions. They do not protect relay or CT systems from overvoltages created due to high secondary fault currents.

For protection of high impedance relay systems against overvoltages during fault conditions, please refer to our Metrosil for High Impedance Relays data sheet.

For assistance in using Metrosil CTPUs in conjunction with Metrosil Relays for High Impedance Relay Systems, please contact the Metrosil team.

A Metrosil CTPU can be constructed in both single and three pole varieties for convenience of installation. The procedure for choosing the correct Metrosil CTPU is shown overleaf.



METROSIL CURRENT TRANSFORMER PROTECTION UNITS

CHOOSING THE CORRECT METROSIL CTPU

There are 6 standard Metrosil CTPU types that can accommodate a wide range of burdens and operating conditions. These are referenced by either a letter or a number.

For simplicity, the procedure for selecting the correct Metrosil CTPU has been broken down into the following 5 steps:-

Step 1 - Identify the relevant table for the application

For metering applications refer to Table 1. For protection applications refer to Table 2.

Step 2 - Select the Metrosil CTPU type

For metering applications, using Table 1, select the Metrosil CTPU according to the CT Rated Secondary Current and the CT Burden of the system.

For protection applications, using Table 2, select the Metrosil CTPU according to the CT Rated Secondary Current, the Maximum Fault Current as a Multiple of Rated Current and the CT Burden of the system.

Step 3 - Check the leakage current through the Metrosil CTPU with the burden connected

Using Table 3, on page 3, refer to the Metrosil CTPU derived from steps 1 and 2 above. Identify the secondary voltage that appears across the CT under normal operation and cross-check that the leakage current will not affect the measurement accuracy. In addition, check that this current can flow for an infinite time.

CT Rated Secondary Current (Amps)	CT Burden (VA)			
	5	10	15	30
5	A	A	A	A
1	A	B	B	C
0.5	B	C	C	3166

Table 1 - Metrosil CTPU Types for Metering CT Applications

Note - It is assumed that the CT and the Metrosil CTPU will not be expected to maintain the metering accuracy above twice full load current

Next, refer to the secondary voltage that appears across the CT under fault conditions and cross-check that the higher level of leakage current will still not affect the measurement accuracy.

In this case, the current must be able to flow for a period of time greater than the maximum fault duration.

Table 3 is for selection purposes only and is not representative of the specification of the CTPU type.

If the values and times are acceptable, proceed to step 4. If they are outside of the requirements, please contact the Metrosil team.

Step 4 - Check the peak voltage which the CTPU limits the open circuited system to

Use Table 4 on page 3 to check that the chosen Metrosil CTPU will limit the voltage to a level that will not damage the CT.

Step 5 - Confirm if a second thermostatic switch is required

Specify whether a second thermostatic switch is required for remote monitoring/signalling purposes.

CT Rated Secondary Current (Amps)	Maximum Fault Current as Multiple of Rated Current	CT Burden (VA)			
		5	10	15	30
5	x 5	A	A	A	A
	x 10	A	A	A	B
	x 15	A	A	A	B
	x 20	A	A	B	B
1	x 5	A	B	B	C
	x 10	B	B	C	3140
	x 15	B	C	3166	3140
	x 20	B	C	3140	3134
0.5	x 5	B	3166	3166	3140
	x 10	C	3140	3140	3134
	x 15	C	3140	3140	
	x 20	3166	3140	3134	

Table 2 - Metrosil CTPU Types for Protection CT Applications

Note - It is assumed that the measurement error is not greater than 1% at indicated multiple of rated current



METROSIL CURRENT TRANSFORMER PROTECTION UNITS

Secondary Voltage Across Terminals (Vrms)	Metrosil CTPU Types											
	A		B		C		3166		3140		3134	
	mA	Sec	mA	Sec	mA	Sec	mA	Sec	mA	Sec	mA	Sec
10	<1	∞	<1	∞	<1	∞	<1	∞	<1	∞	<1	∞
20	14	∞	<1	∞	<1	∞	<1	∞	<1	∞	<1	∞
30	110	∞	<1	∞	<1	∞	<1	∞	<1	∞	<1	∞
40	350	∞	2	∞	<1	∞	<1	∞	<1	∞	<1	∞
50	1350	∞	6	∞	<1	∞	<1	∞	<1	∞	<1	∞
75	2600	19	50	∞	1.5	∞	<1	∞	<1	∞	<1	∞
100			160	∞	6	∞	1.5	∞	<1	∞	<1	∞
150			1350	30	43	∞	11	∞	<1	∞	<1	∞
200			12200	4	160	215	50	∞	1.2	∞	<1	∞
250					900	50	180	∞	4	∞	<1	∞
300					2500	15	500	75	9	∞	1	∞
350					5800	5.5	1200	27	20	∞	1.5	∞
400							2500	11	37	∞	3	∞
500									150	162	7	∞
600									400	49	17	∞
700									950	17	33	∞
800									2050	7.5	70	235
900									3900	3	130	116
1000											220	61
1100											360	34
1200											550	20
1400											1200	6
1600											2350	3
1800											4200	2
2000											7100	1

█ Leakage current which can be continuously dissipated █ Leakage current which can be dissipated for the time period indicated

Table 3 - Simulated Leakage Current through Metrosil CTPU types with the CT Burden Connected
Values Contained in the Table are for Selection Purposes Only

Secondary Load Current (Arms)	Metrosil CTPU Specification					
	A	B	C	3166	3140	3134
5	140	420	845	1134		
1	95	286	574	758	1648	2856
0.5	81	242	486	638	1386	2402

Table 4 - Typical Peak Voltage Across the Open Circuited CT with the CTPU Connected



METROSIL CURRENT TRANSFORMER PROTECTION UNIT ENCLOSURES

INTRODUCTION

Metrosil CTPU Enclosures offer a complete, pre-assembled protection system for supply chain simplicity and ease of installation close to the CT secondary.

The enclosures are based on three standard cabinet options and contain Metrosil's leading CT open circuit protection components in a number of iterations - giving complete protection to critical CTs. Fabricated from welded sheet steel and finished in RAL 7035 epoxy powder coating, they feature a weatherproof door seal, removable baseplate for component fixing, an M8 copper earth stud, a bottom mounted gland plate with integral seal, a lockable door, and are certified to meet the requirements of IEC 61439 Parts 1&2.

The Metrosil CTPU enclosure series are offered in the following configurations:



Enclosure Option	Number of CTPUs in the Enclosure	CTPU Type (Type A, B, C, 3166, 3140, 3134)	Enclosure Size (WxHxD) (mm)	Enclosure Weight (with CTPUs) (kg)	International Protection Marking	Impact Rating	Nema Class	Manufactured in Accordance with IEC 61439
Metrosil Enclosure CTPU - 3	3	All	W: 380 H: 380 D: 210	9.8	IP66	IK08 1.7kg / 5 joules	4	Yes
Metrosil Enclosure CTPU - 4	4	All	W: 380 H: 380 D: 210	14				
Metrosil Enclosure CTPU - 6	6	All	W: 600 H: 800 D: 250	33.6				
Metrosil Enclosure CTPU - 8	8	All	W: 600 H: 800 D: 250	44.5				
Metrosil Enclosure CTPU - 9	9	All	W: 600 H: 1000 D: 250	50.5				
Metrosil Enclosure CTPU - 12	12	All	W: 600 H: 1000 D: 250	67				

Table 5 - Enclosure Options

For more information on our CTPUs and/or CTPU Enclosures, please contact the Metrosil team:

metrosil.com

SALES ENQUIRIES

Tel: +44 (0)161 864 5456

e-mail: metrosilsales@mimaterials.com

TECHNICAL ENQUIRIES

Tel: +44 (0)161 864 5462

e-mail: metrosiltech@mimaterials.com

a product of  M&I MATERIALS

