



## METROSIL FOR HIGH IMPEDANCE RELAYS

### Maximum protection against internal fault conditions.

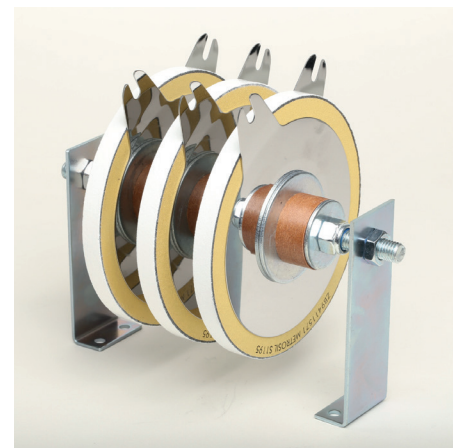
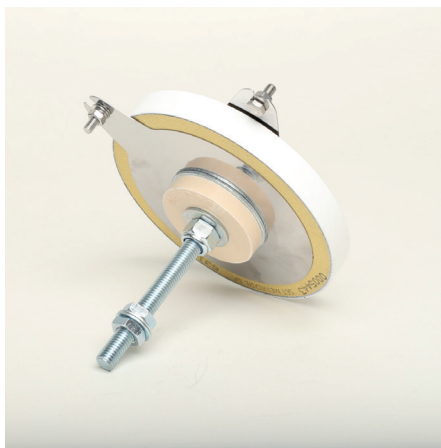
Differential relay systems are traditionally used to protect individual pieces of plant. The relay monitors the ingoing and outgoing current from the equipment, and if a mismatch occurs a secondary current flows through the relay, causing it to trip. The secondary current can result in high voltages within the relay, so to prevent damage to the relay or the current transformer, a Relay Metrosil should be used to safely clamp the voltage.

#### METROSIL FEATURES:

- Industry standard protection varistor for major OEMs
- Specialist materials to ensure superior longevity
- High energy varistor design
- Pre-assembled, simple to install

#### METROSIL BENEFITS:

- Over 80 years' manufacturing experience
- Flexible designs customised to OEM requirements
- Exceptional safety record
- Reduces downtime

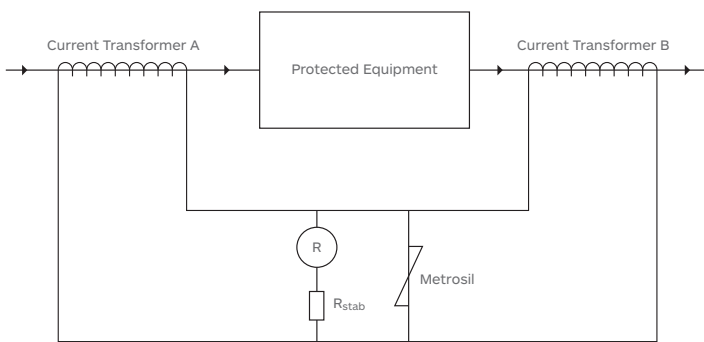


# RELAY DISCS SPECIFICATION

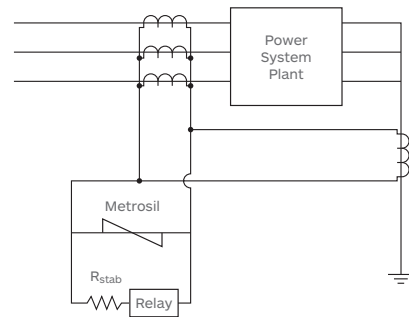
Recommended Relay Metrosils for Relays on 1A CTs			
Maximum Relay Setting Voltage Vrms	Maximum Internal Secondary Fault Current 50 A <sub>rms</sub>		
	Single Pole Relay		Triple Pole Relay
125	600-A/S1/256		600-A/S3/I/802
175			
185			
300	600-A/S1/1088		600-A/S3/I/1195
325			
400			
Recommended Relay Metrosils for Relays on 5A CTs			
Maximum Relay Setting Voltage Vrms	Maximum Internal Secondary Fault Current 50 A <sub>rms</sub>		
	50	100	150
200	600A/S1/1213	600A/S2/P/1217	600A/S3/P/1219
250	600A/S1/1214	600A/S2/P/1215	600A/S3/P/1220
275			600A/S3/P/1221
300	600A/S1/1223	600A/S2/P/1196	600A/S3/P/1222

# DIFFERENTIAL RELAY PROTECTION

Busbar Differential Scheme



Earth Fault Differential Scheme



[metrosil.com](http://metrosil.com)

For more information surrounding our varistors for high impedance relays, please contact the Metrosil team:

## SALES ENQUIRIES

Tel: +44 (0)161 864 5456  
e-mail: [metrosilsales@mimaterials.com](mailto:metrosilsales@mimaterials.com)

## TECHNICAL ENQUIRIES

Tel: +44 (0)161 864 5462  
e-mail: [metrosiltech@mimaterials.com](mailto:metrosiltech@mimaterials.com)

a product of  **M&I MATERIALS**

Any recommendation or suggestion relating to the use, storage, handling or properties of the products supplied by M&I Materials Ltd or any member of its group, either in sales and technical literature or in response to a specific enquiry or otherwise, is given in good faith but it is for the customer to satisfy itself of the suitability of the product for its own particular purposes and to ensure that the product is used correctly and safely in accordance with the manufacturer's written instructions. © M&I Materials Ltd 2018.